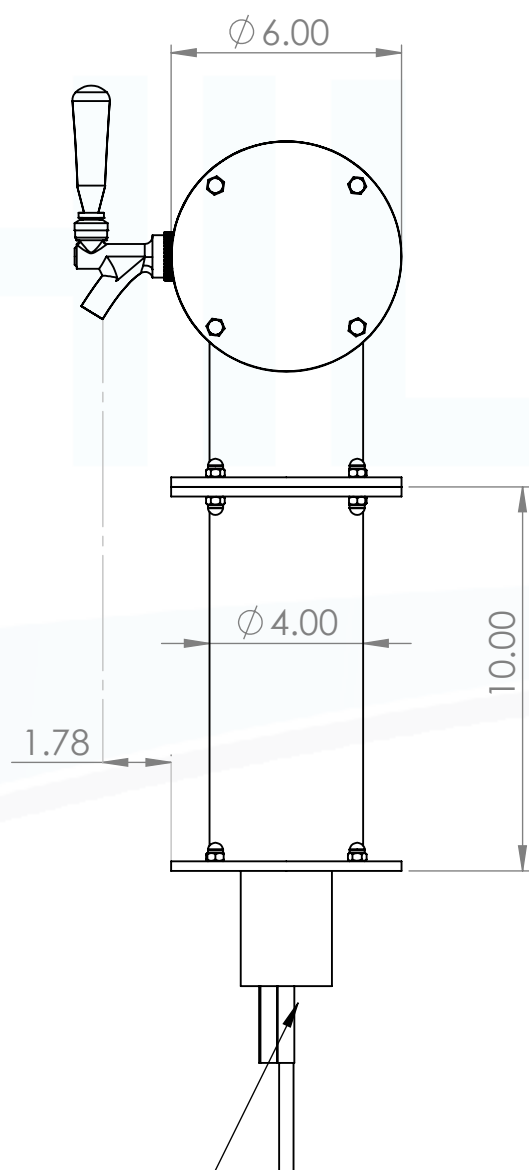
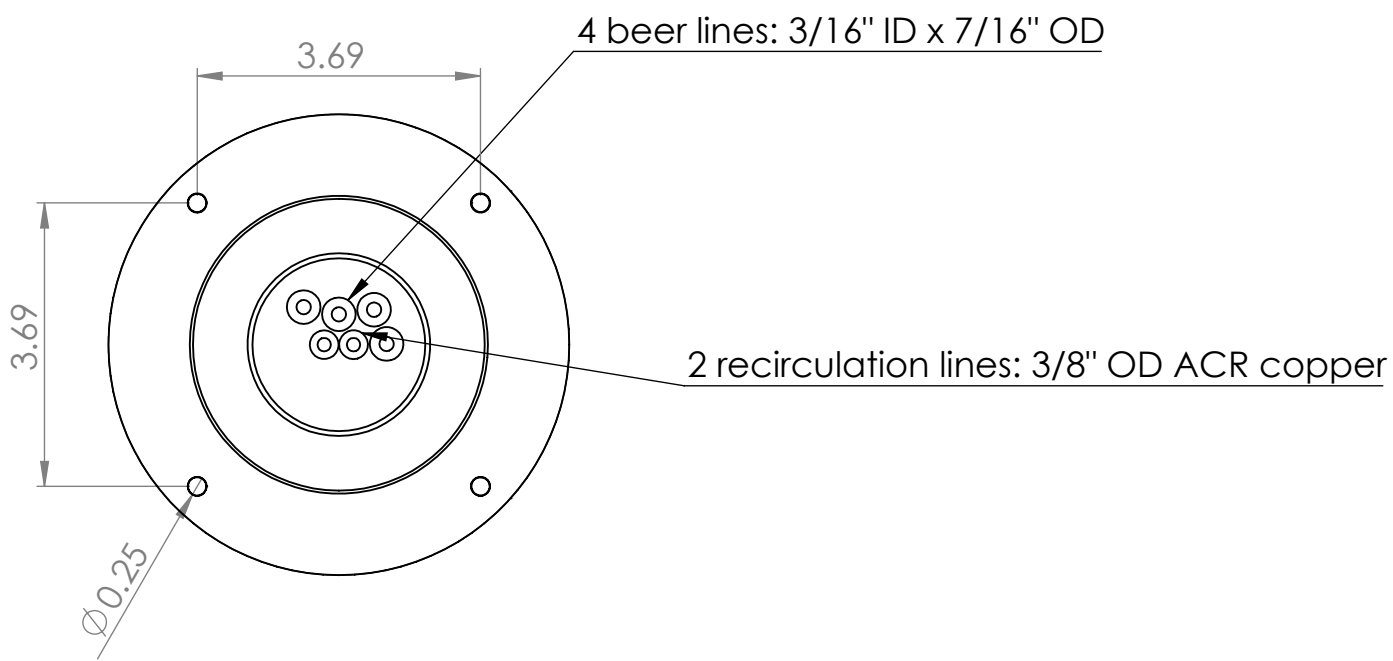


Isometric View
(For reference purpose only)



DETAIL A
SCALE 2 : 5



Suggested Drip Tray:
BB701316 - 16" x 7" BSS Drip Tray
BB702416 - 16" x 7" BSS Spray Drip Tray



Name		Date		Title:		
Drawn By:	Chillmax Beverages Solutions, LLC	11/15/2024		4T(4"OC) MATTE BLACK LINX L7 CH-MX CLD		
Approved By:	Production Manager			Part Number: BB102615-MB-04GC		
Material:	304 SS	Finish:	MATTE BLACK	Revision:		
Unless otherwise mentioned, dimensions are inches.					Scale:	1:5